



Xpresso

Xpresso

Everyday Comfort, Style & Versatility – Xpresso is the Chair for All Occasions

Café, meeting chairs and bar stools available in a wide selection of colours. The stacking Xpresso range is versatile, lightweight and durable with the ability for chairs to link together.

Ideal for use in a wide range of settings including educational establishments, cafés, auditoria, conference facilities and meeting rooms.





Xpresso

Xpresso's Ergonomic Design Provides Enhanced Comfort & Support

Product Information

- High density stacking chairs and bar stools - 10 chairs and 2 bar stools available
- Xpresso.one refers to seating with full polypropylene or upholstered backs
- Xpresso.three refers to seating with perforated polypropylene backs, providing an alternative design aesthetic
- Chrome wire base with nylon glides

Certification

- BS EN 15372: 2007

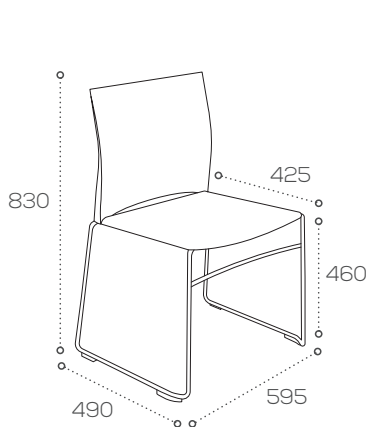
Options

- Available with polypropylene seat and back; polypropylene seat and upholstered back or fully upholstered. Polypropylene back available full or perforated
- Available with or without arms
- Linking feet available
- Optional detachable left or right-handed writing tablet
- Additional trolley enables chairs stacking to 45 high or 30 high if upholstered
- Available in a wide range of fabrics
- Polypropylene seat and back available in 8 colours: black, white, red, green, grey, blue, yellow, and stone



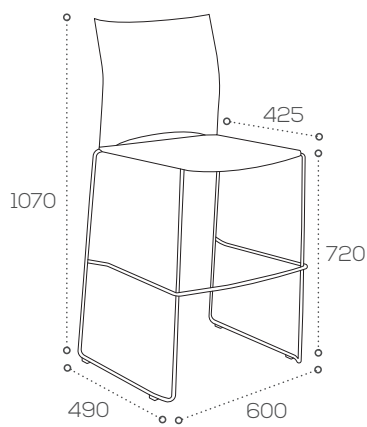
Dimensions (mm)

MXP



Weight: 5-12kg

GXP



Weight: 8kg





Head Office & Showroom

Dogley Mills,
Penistone Road,
Huddersfield,
West Yorkshire,
HD8 0LE

Tel: 01484 600 100
sales@connection.uk.com

London Showroom

31 Great Sutton Street,
Clerkenwell,
London,
EC1V 0NA

Tel: 020 7253 9877
www.connection.uk.com

Manchester Showroom

The Old Law Library,
Kennedy Street,
Manchester,
M2 4BY

