



Stanley

Design by Hilary Birkbeck
Product Brochure 2017

Stanley

Exuding Style, Quality & Character, Stanley Makes a Striking Addition to the Executive Office or Meeting Room

The Stanley range of high specification executive meeting chairs has been designed and built with meticulous attention to detail, for assured quality and comfort. Available with a high or medium backs, generous proportions and knee tilt mechanism, Stanley is comfortable and versatile.

With numerous options available, Stanley is equally at home within a traditional or ultramodern environment.





Stanley

Specifications

Product Information

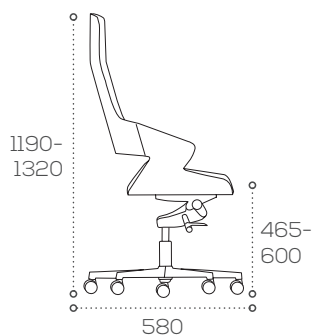
- Executive chairs with plywood outer shell and upholstered CMHR foam inner
- 5 star polished aluminium base
- Gas lift height adjustment and knee tilt as standard

Options

- High and medium back options
- Plywood outer shell available in walnut or zebrano
- Available with glides or casters
- Available in a wide range of fabrics, vinyls and leathers

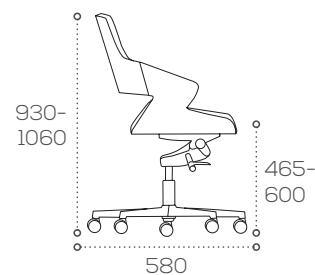
Dimensions (mm)

High back



Weight: 22kg

Medium back



Weight: 21kg



Head Office & Showroom

Dogley Mills,
Penistone Road,
Huddersfield,
West Yorkshire,
HD8 0LE

Tel: 01484 600 100
sales@connection.uk.com

London Showroom

31 Great Sutton Street,
Clerkenwell,
London,
EC1V 0NA

Tel: 020 7253 9877
www.connection.uk.com

Manchester Showroom

The Old Law Library,
Kennedy Street,
Manchester,
M2 4BY

