

Retro

Product Brochure 2017

www.connection.uk.com

Retro

Colourful Retro Brings a Breath of Fresh Air to Any Café or Breakout Space

Practical dining chair and bar stool with a solid beech 4 leg base and polypropylene seat and back rest.

Available in 6 different colours to add a splash of colour to a space.





Retro

Specifications

Product Information

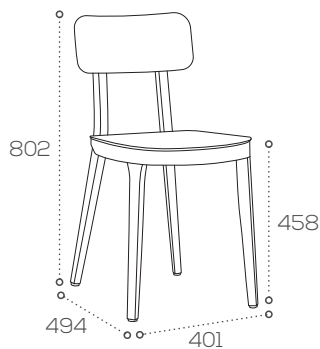
- Chair and bar stool with solid beech 4 leg base
- Polypropylene seat and back rest

Options

- Available in 6 different colours: white, red, light grey, green, yellow and brown
- Wenge-stained beech and white lacquered beech available

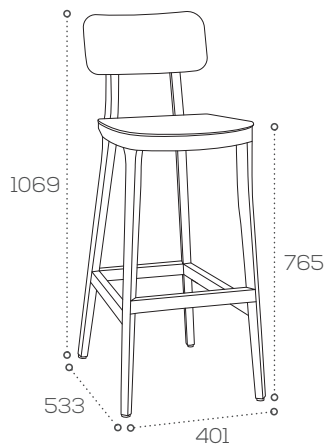
Dimensions (mm)

MRT1



Weight: 5kg

GRT1



Weight: 7kg



Head Office & Showroom

Dogley Mills,
Penistone Road,
Huddersfield,
West Yorkshire,
HD8 0LE

Tel: 01484 600 100
sales@connection.uk.com

London Showroom

31 Great Sutton Street,
Clerkenwell,
London,
EC1V 0NA

Tel: 020 7253 9877
www.connection.uk.com

Manchester Showroom

The Old Law Library,
Kennedy Street,
Manchester,
M2 4BY

