

One

Design by Paul Brooks
Product Brochure 2017

One

Simplicity & Elegance Combine to Create this Practical & Stylish Range

A meeting and visitor chair which demonstrates simplicity and honesty of design. The moulded plastic back and armrests create one unified sculptural piece. Available with choice of cantilever, 4 leg or height adjustable 5 star swivel base.



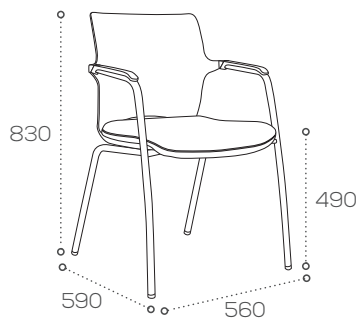


One

Specifications

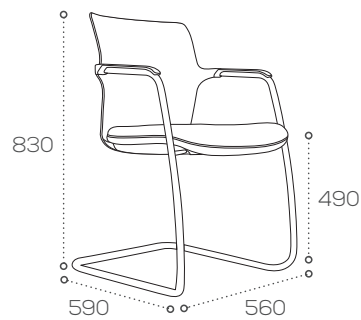
Dimensions (mm)

MONIA



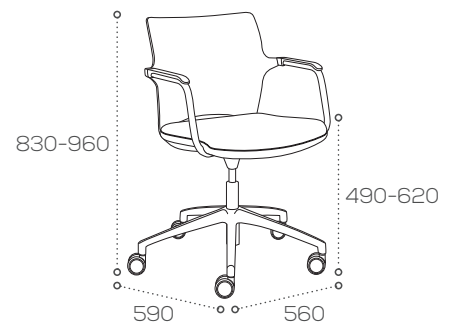
Weight: 8kg

MONIC



Weight: 8kg

OONIAAAA/AAA



Weight: 12kg

Product Information

- Moulded polypropylene backrest and seat-pan in black
- Removable seat cushion

Options

- 3 base options: silver 4 leg base, silver cantilever base or black 5 star base with casters
- Matt black, white, chrome and polished base options available
- White body components optional
- Available in a wide range of fabrics and vinyls; unavailable in leather

Certifications

- MONIA, IC: BS EN 15373:2007
- OONIAAAA/AAA: BS EN 1335 Part 2 and 3



Head Office & Showroom

Dogley Mills,
Penistone Road,
Huddersfield,
West Yorkshire,
HD8 0LE

Tel: 01484 600 100
sales@connection.uk.com

London Showroom

31 Great Sutton Street,
Clerkenwell,
London,
EC1V 0NA

Tel: 020 7253 9877
www.connection.uk.com

Manchester Showroom

The Old Law Library,
Kennedy Street,
Manchester,
M2 4BY

