



Mae

Product Brochure 2017

Mae

Contemporary High or Low Back Armchair, with a Fixed, Swivel or Solid Oak Base

A distinct and contemporary armchair designed for relaxing in style or achieving privacy within open areas. Mae can provide the subtle privacy desired, whilst not encasing the user completely from their surroundings. The optional high back wings offer both visual and acoustic privacy, while the low back chair creates a different atmosphere, more suited to socialising and entertaining.





Mae

Specifications

Product Information

- Steel framework, moulded with cold cured polyurethane
- Moulded cold cured polyurethane seat cushion

Options

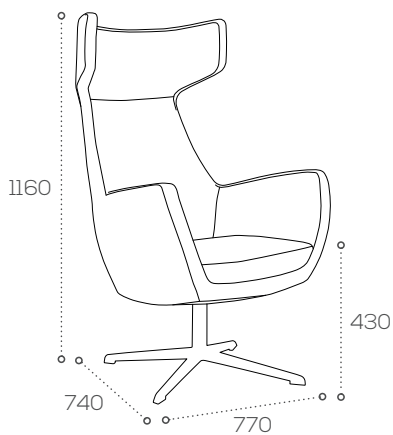
- 3 base options: silver 4 star fixed or swivel base or solid oak 4 leg base
- High or low back chairs
- Matt black, white and chrome base options available
- Available in a wide range of fabrics and vinyls; high back chairs are unavailable in leather

Certifications

- BS EN 16139:2013 Level 1. BS EN 1021-2:2006

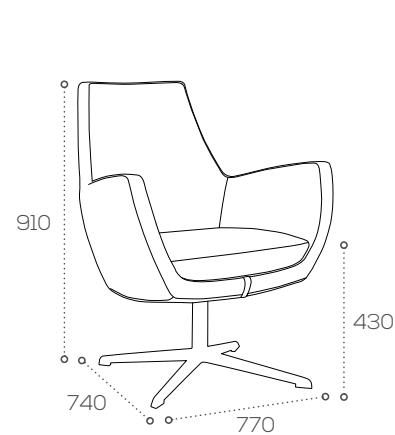
Dimensions (mm)

SME1D, A, G



Weight: 26kg

SME2D, A, G



Weight: 24kg





Head Office & Showroom

Dogley Mills,
Penistone Road,
Huddersfield,
West Yorkshire,
HD8 0LE

Tel: 01484 600 100
sales@connection.uk.com

London Showroom

31 Great Sutton Street,
Clerkenwell,
London,
EC1V 0NA

Tel: 020 7253 9877
www.connection.uk.com

Manchester Showroom

The Old Law Library,
Kennedy Street,
Manchester,
M2 4BY

