



Gloss

Design by David Fox Design
Product Brochure 2017

Gloss

Maximum Comfort on an Upholstered Seat Cocooned by a Sleek & Shiny White Plastic Shell

A singular cocooned waiting chair that delivers maximum comfort in waiting or social areas. Gloss is an ergonomically shaped chair which offers total seating support, whilst the plastic ABS white shell allows it to be simply wiped clean.

3 base options are available in the range plus complementary coffee, diner and poseur height tables.





Gloss

Specifications

Product Information

- Contoured soft upholstered seat with white ABS shell and grey nylon feet

Options

- Available with chrome 4 leg base; chrome wire base or fixed/swivel silver and polished aluminium 4 star base
- Matt black and warm metallic copper base options available
- Available in a wide range of fabrics, vinyls and leathers
- Dual upholstery available
- Complementary coffee, diner and poseur height tables available

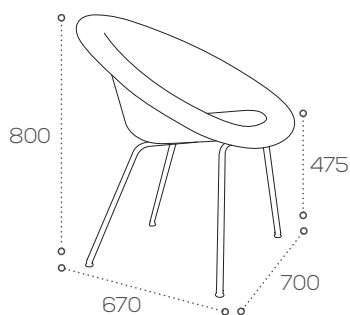
Certification

- BS EN 15372: 2008



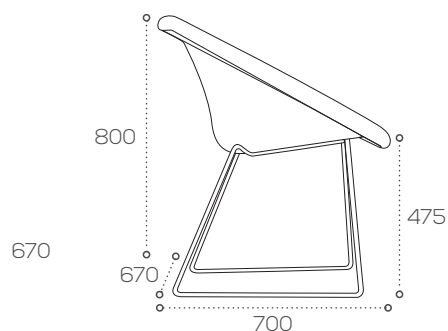
Dimensions (mm)

MGLID



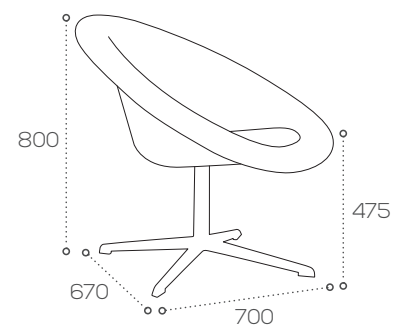
Weight: 8kg

MGLIB



Weight: 10kg

MGLIE



Weight: 13kg

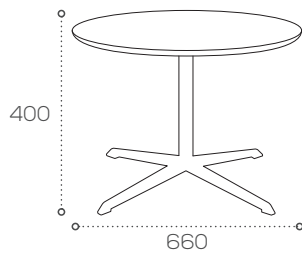


Gloss

Complementary Tables

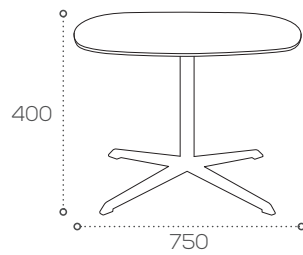
Dimensions (mm)

TGLC/RND



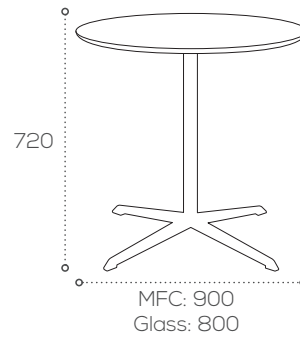
MFC: 8kg
Glass: 12kg

TGLC/SQL



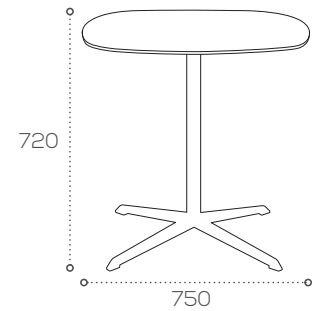
Weight: 12kg

TGLD/RND



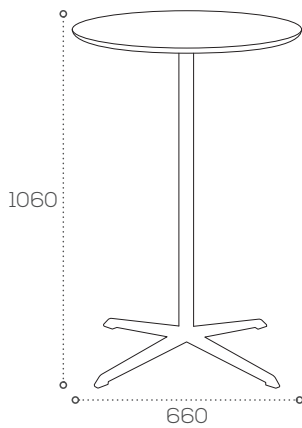
MFC: 14kg
Glass: 15kg

TCLD/SQL



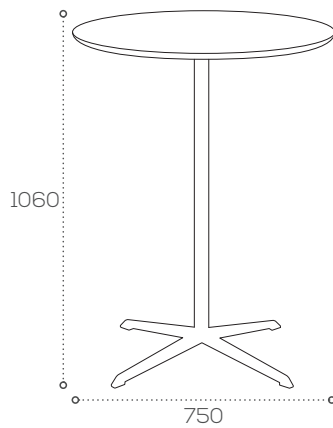
Weight: 13kg

TCLP/RND



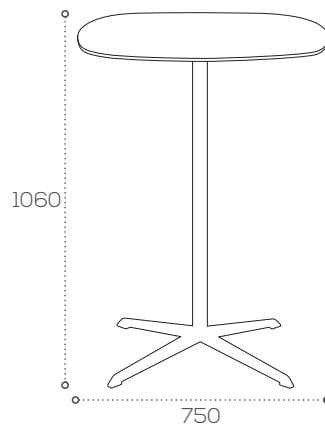
Weight: 14kg

TCLP/RND



Weight: 12kg

TCLP/SQL



Weight: 12kg



Head Office & Showroom

Dogley Mills,
Penistone Road,
Huddersfield,
West Yorkshire,
HD8 0LE

Tel: 01484 600 100
sales@connection.uk.com

London Showroom

31 Great Sutton Street,
Clerkenwell,
London,
EC1V 0NA

Tel: 020 7253 9877
www.connection.uk.com

Manchester Showroom

The Old Law Library,
Kennedy Street,
Manchester,
M2 4BY

