



Box

Product Brochure 2017



Box

Simple, Stylish & Useful

A flexible, fun, seating solution which can be used as an informal seat, tray table or storage space. Designed to work together in small clusters to provide a small touch down space or as part of larger configuration in a collaborative seating and meeting area.

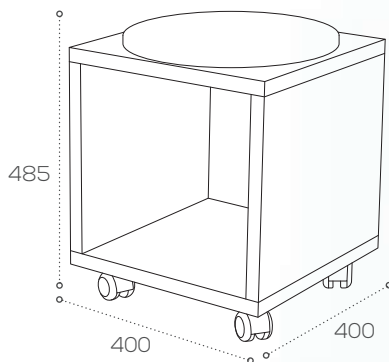
Product Information

- 25mm birch plywood box seating with casters
- Seat cushion as standard

Options

- Available in a wide range of fabrics, vinyls and leathers

Dimensions (mm)



Weight: 10kg







Head Office & Showroom

Dogley Mills,
Penistone Road,
Huddersfield,
West Yorkshire,
HD8 0LE

Tel: 01484 600 100
sales@connection.uk.com

London Showroom

31 Great Sutton Street,
Clerkenwell,
London,
EC1V 0NA

Tel: 020 7253 9877
www.connection.uk.com

Manchester Showroom

The Old Law Library,
Kennedy Street,
Manchester,
M2 4BY

